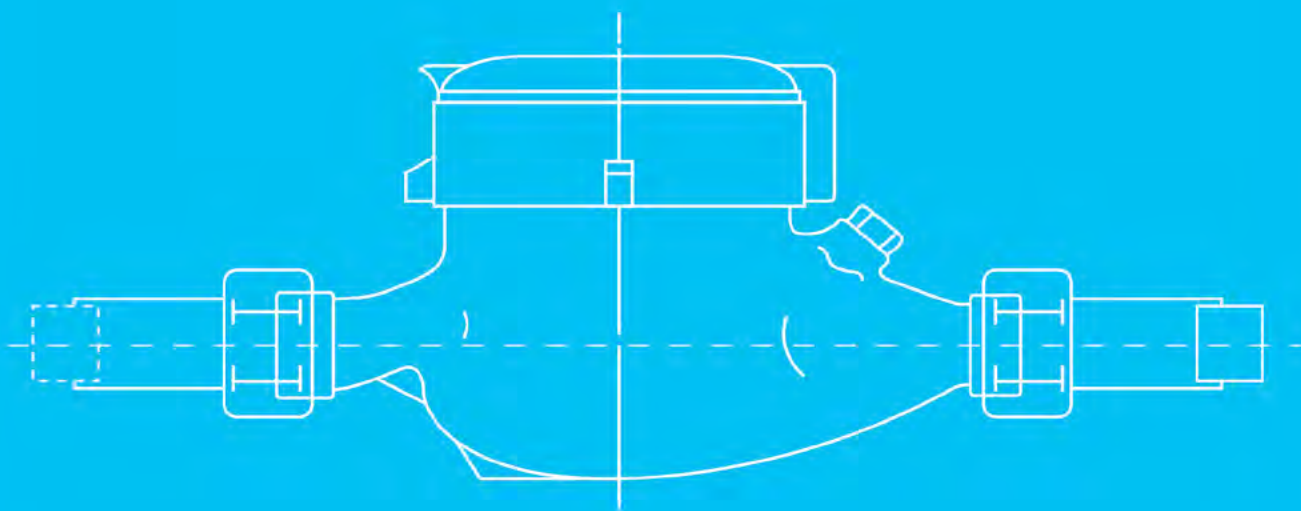


Water Meters



WOLTMAN WATER METER - LXLC-50~300

Application

Measure the volume of cold (hot) water passing through the pipeline.

Features

- Removable element structure, easy installation and maintenance
- Detachable without removing the meter from the pipeline
- Dry-dial, magnetic drive sensitive action, small pressure loss
- Vacuum sealed register ensures the dial keeps free from fog and ensures a clear reading
- High quality materials for steadiness and reliability
- Technical data conform to international standard ISO 4064

Working Condition

- Water temperature: 0.1°C ~ 50°C (0.1°C ~ 90°C for hot water meter)
- Water pressure: PN10/16/25

Maximum Permissible Error

- In lower zone from q_{min} inclusive up to but excluding q_t is $\pm 5\%$
- In the upper zone from q_t inclusive up to and including q_s is $\pm 2\%$ ($\pm 3\%$ for hot water meter)

Flow Technique Specification

Nominal Flow	Overload Flow Q_4	Permanent Flow Q_3	Q_3 / Q_1	Q_2 / Q_1	Transitional Flow Q_2	Minimum Flow Q_1	Minimum Reading		Maximum Reading	
							Full Glass Seal	Common Seal	Full Glass Seal	Common Seal
Model	m ³ /h				m ³ / h		m ³			
LXLC-50	31.25	25	50	1.6	0.8	0.5	0.0005	0.0002	999,999	999,999
LXLC-65	50	40	50	1.6	1.28	0.8	0.0005	0.0002	999,999	999,999
LXLC-80	78.75	63	50	1.6	2	1.3	0.002	0.002	999,999	9,999,999
LXLC-100	125	100	50	1.6	3.2	2	0.002	0.002	999,999	9,999,999
LXLC-125	200	160	50	1.6	5.12	3.2	0.002	0.002	999,999	9,999,999
LXLC-150	312.5	250	50	1.6	8	5	0.002	0.002	999,999	9,999,999
LXLC-200	500	400	50	1.6	12.8	8	0.002	0.002	999,999	9,999,999
LXLC-250	787.5	630	50	1.6	20.16	12.6	0.02	0.02	9,999,999	99,999,999
LXLC-300	1250	1000	50	1.6	32	20	0.02	0.02	9,999,999	99,999,999



Common plastic register



Copper register



Full glass register

Water temperature

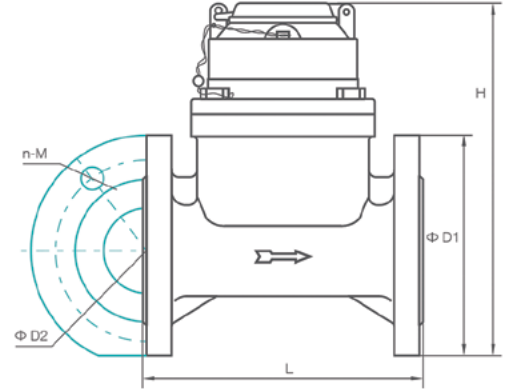
0.1°C ~ 50°C
(Cold water meter) / 1.0°C ~ 90°C
(Hot water meter)

Water pressure

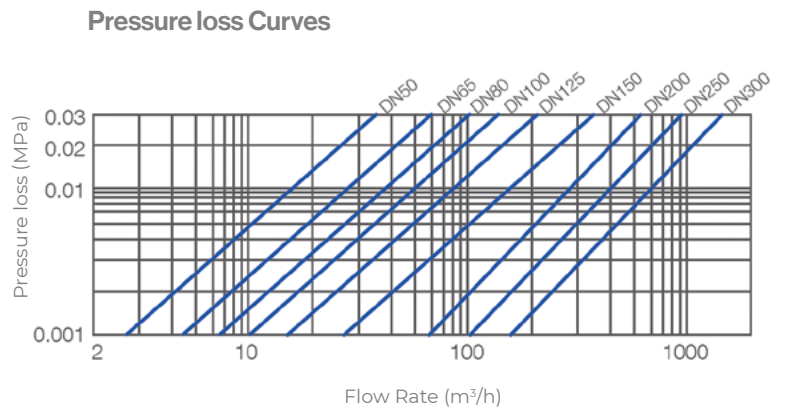
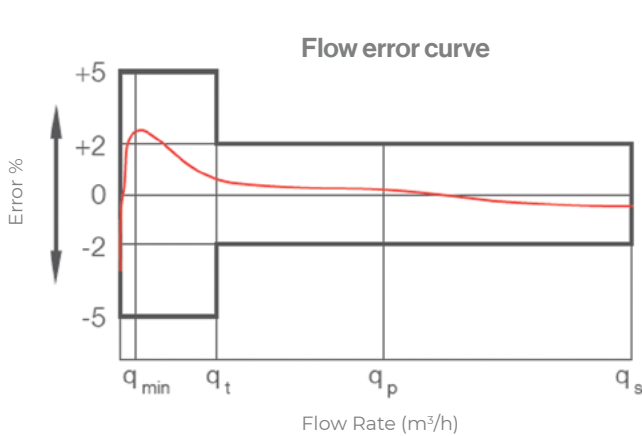
1.0 MPa or 1.6 MPa

Dimensions

Model	Size	L Length	H Height	Connecting Flange		
				mm	Φ D1 Outside Diameter	Φ D2 Bolt Circle Diameter
LXLC-50	50	200	214	165	125	4-M16
LXLC-65	65	200	224	185	145	4-M16
LXLC-80	80	225	279	200	160	8-M16
LXLC-100	100	250	289	220	180	8-M16
LXLC-125	125	250	299	250	210	8-M16
LXLC-150	150	300	319	285	240	8-M16
LXLC-200	200	350	346	340	295	8-M20(1.0DE)
						8-M20(1.0DE)
LXLC-250	250	450	434	395(1.0MPa)	350(1.0MPa)	12-M20(1.0MPa)
				405(1.6MPa)	355(1.6MPa)	12-M24(1.6MPa)
LXLC-300	300	500	480	445(1.0MPa)	400(1.0MPa)	12-M20(1.0MPa)
				460(1.6MPa)	410(1.6MPa)	12-M24(1.6MPa)



NOTE: The flange dimension conforms to ISO7005-1:1988 standard. Flange standard can be customized. Order for products of special requirements is also accepted.



Precision in Every Drop
Since 2006