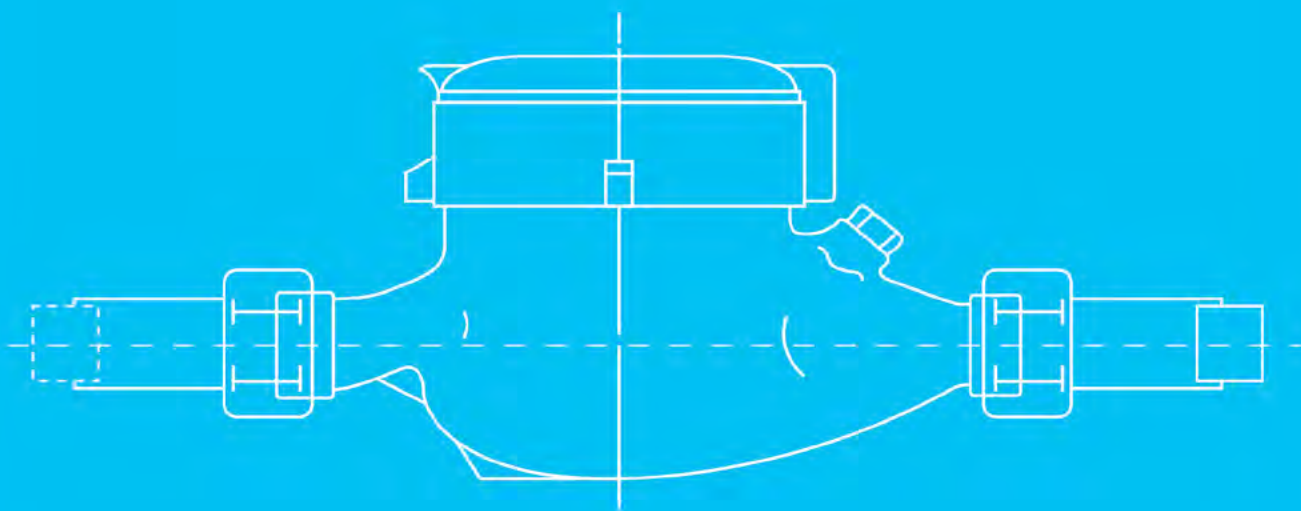


# Water Meters



# ULTRASONIC WATER METER

## Features

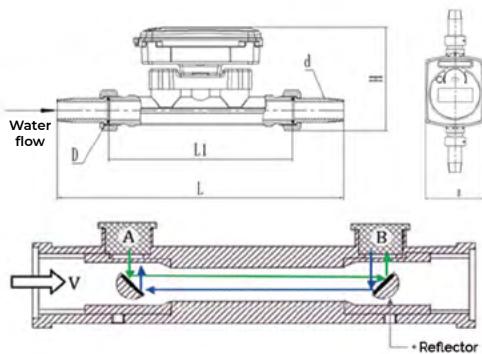
- Low starting rate (0.005m<sup>3</sup>/h), able to accurately measure Flow
- rate as low as 0.0125m<sup>3</sup>/h
- Dynamic range (Q3/Q1) achieved 200:1
- No mechanical moving parts, no abrasion, allowing long-lasting lifetime
- Leak detection
- No measurement of air
- Installation in any position
- Displaying of error and alarm codes
- Optional battery provision
- Support RS-485, Pulse, LoRaWAN, GPRS, NB, concentrated management
- Suitable for outdoor installation



## Outline dimension

Nominal diameter (mm)	Model				
	LXLC-15	LXLC-20	LXLC-25	LXLC-32	LXLC-40
Length L (mm)	165	195	225	180	200
Length L1 (mm)	260	300	346	305	330
Width B (mm)	95	95	95	95	95
Height H (mm)	86	86	89	100	120

## Dimensional drawing schemel



## Technical parameter

Nominal diameter (mm)	15	20	25	32	40
Maximum flow Q <sub>4</sub> (m <sup>3</sup> /h)	3.125	5	7.875	12.5	20
Permanent flow Q <sub>3</sub> (m <sup>3</sup> /h)	2.5	4	6.3	10	16
Transitional flow Q <sub>2</sub> (m <sup>3</sup> /h)	0.02	0.032	0.05	0.08	0.128
Minimum flow Q <sub>1</sub> (m <sup>3</sup> /h)	0.0125	0.02	0.0315	0.05	0.08
Start-up flow (m <sup>3</sup> /h)	0.005	0.005	0.008	0.01	0.015
Maximum reading	99999.999				
Measuring range	Q3/Q1, R200 (R250 customizable)				
Accuury class	Class 2				
Pressure loss class	<0.04MPa				
Working pressure	1.6 MPa				
Temperature class	T50				
Temperature range	(5 -55)°C				
Environment class	Indoor, Class B				
Electromagnetic class	E1 (Residential, Commercial and Industrial)				
Power supply	Built-in lithium battery DC 36V				
Battery life	8 - 10 years				
Installation position	Any angle				
Display	LCD, 8 digits + additional characters				
Installation pitch	U10/D5				
Cummunication interface	RS485 modbus/LoRa/NB-IOT/LoRaWAN				
Protection class	IP68				



Precision in Every Drop  
Since 2006