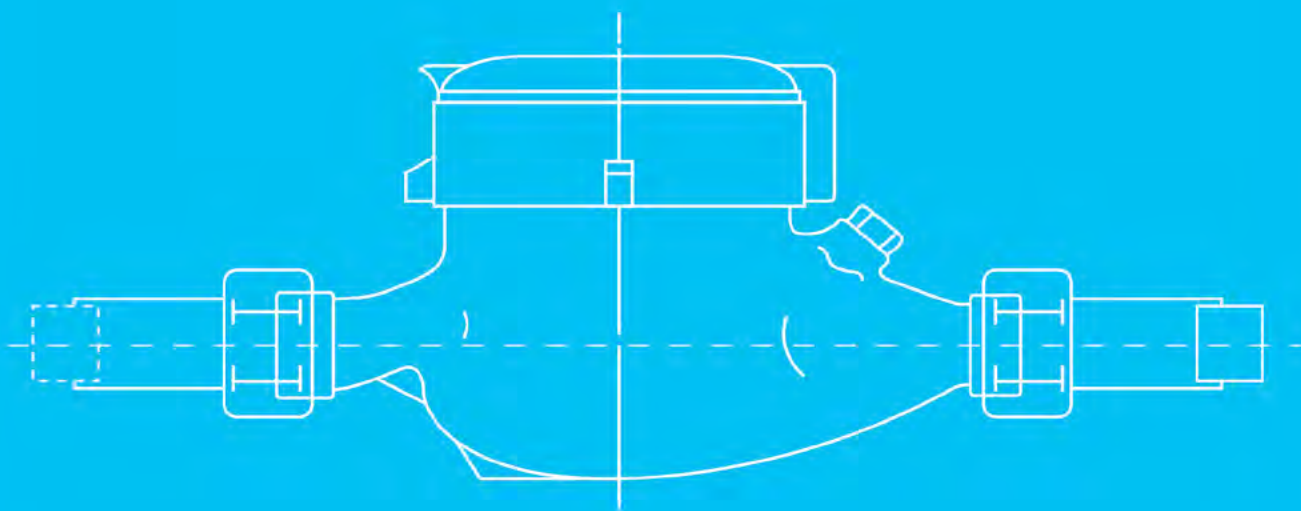


# Water Meters



# MULTI JET VERTICAL BRASS WATER METER

**Application:** Multi jet dry type water meter for vertical application in sizes 15mm-50mm for cold / hot water.

## Features

- Magnetic Drive, lower transmission resistance
- Magnetic shield, for external magnetic field protection
- Sealed dry register ensures long time clear reading
- External regulating device

Accessories included: 2pcs coupling, 2pcs coupling nuts and 2pcs washers

## Standards Compliance

Technical data conform to international standard ISO 4064

## Working Conditions

- Water temperature: 0°C ~ 40°C for cold water meter  
0°C ~ 90°C for hot water meter
- Water pressure: <1.6MPa (16 bar)

## Maximum permissible error

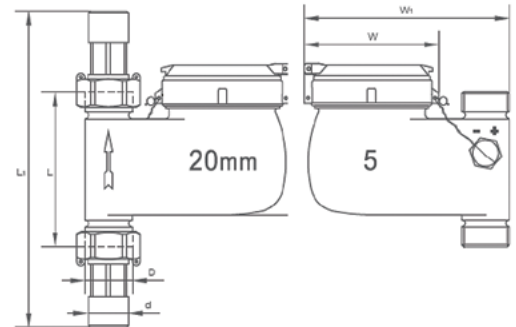
- In lower zone from  $q_{min}$  inclusive up to but excluding  $q_t$  is  $\pm 5\%$
- In the upper zone from  $q_t$  inclusive up to and including  $q_s$  is  $\pm 2\%$  ( $\pm 3\%$  for hot water meter)



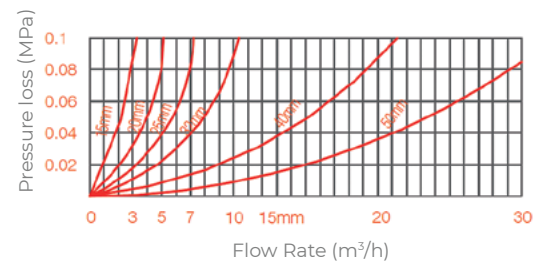
## Technical Data

Model	LXSG-V-15	LXSG-V-20	LXSG-V-25	LXSG-V-32	LXSG-V-40	LXSG-V-50	
Size (inch)	1/2"	3/4"	1"	1-1/4"	1-1/2"	2"	
Q4 (l/h)	3125	5000	7875	12500	20000	31250	
Q3 (l/h)	2500	4000	6300	10000	16000	25000	
R=80	Q2 (l/h)	50	80	126	200	320	400
	Q1 (l/h)	31.25	50	78.75	125	200	205
Max. Reading (m <sup>3</sup> )	99,999	99,999	99,999	99,999	99,999	99,999	
Min. Reading (Liter)	0.05	0.05	0.05	0.05	0.05	0.05	
Max. Pressure (Bar)	16	16	16	16	16	16	
Pressure Loss ( $\Delta P$ )	63						
Max. Temperature	T=50 /90						
Pulse Output Option	Vmax=24V						
	Imax=100mA						
	Pmax=2W						

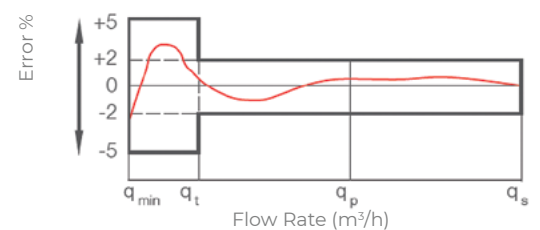
## Overall dimension and weight



## Pressure loss curves



## Flow error curve



Model	LXSG-V-15	LXSG-V-20	LXSG-V-25	LXSG-V-32	LXSG-V-40	LXSG-V-50
Size (inch)	1/2"	3/4"	1"	1-1/4"	1-1/2"	2"
L1	194	204	228	274	278	280
L	100	100	108	150	150	160
H	99.5	99.5	122.6	133.6	133.6	187.5
W1	133	137	166	220	228	
Connecting Thread D	G3/4B	G1B	G1 1/4B	G1 1/2B	G2	Flange connect
d	R 1/2	R 3/4	R1	R 1 1/4	R 1 1/2	



Precision in Every Drop  
Since 2006