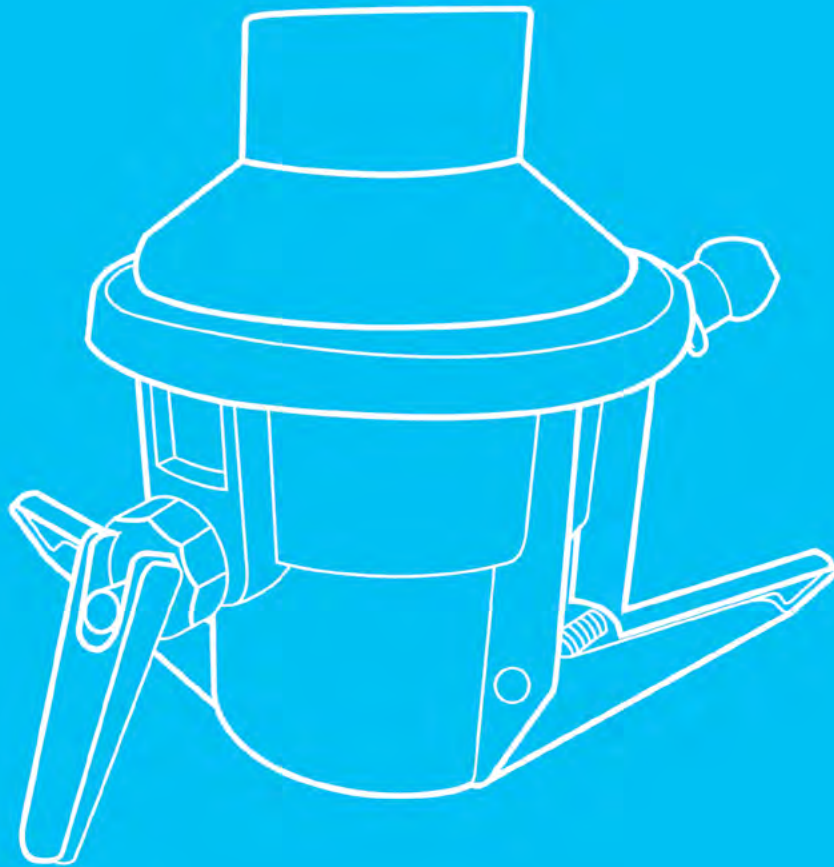


# Gas Regulator



# GR-505 GAS REGULATOR

## Features

GRS gas regulators reduce high pressure passing to appliances such as gas furnaces, stoves and water heaters, among others. They control the delivery of gas at a constant pressure. This pressure within the gas system does not affect gas flow, but it does help control supply pressure.

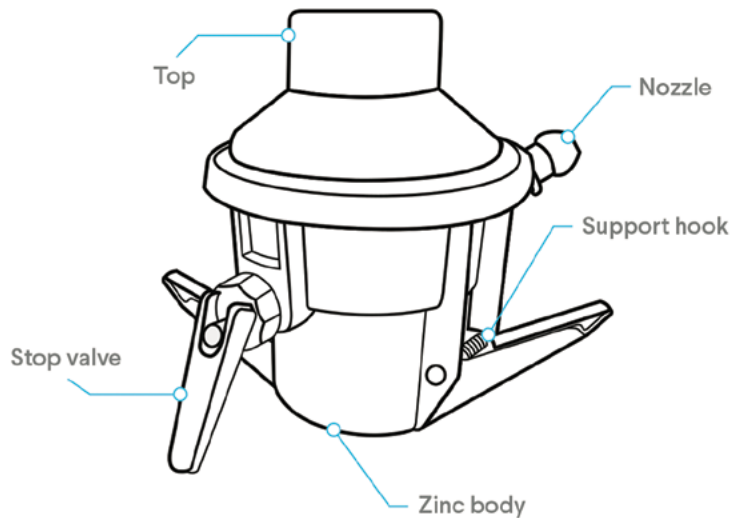
Their design allows easy handling and they are made of a resistant zinc alloy.

## Technical Data

- Double clip gas regulator for 3/8" hose
- Body Material: Zinc Alloy
- Colour: blue / green
- Input connection: 35mm
- Hose tail: 3/8"
- Inlet pressure: 0.07-1.56Mpa
- Outlet pressure: 2.75kpa
- Net weight: 210 Grams

## Pressures

<b>Inlet pressure</b> 0.3 - 1.56 Mps	<b>Outlet pressure</b> 280 mbar
---	------------------------------------



Precision in Every Drop  
Since 2006