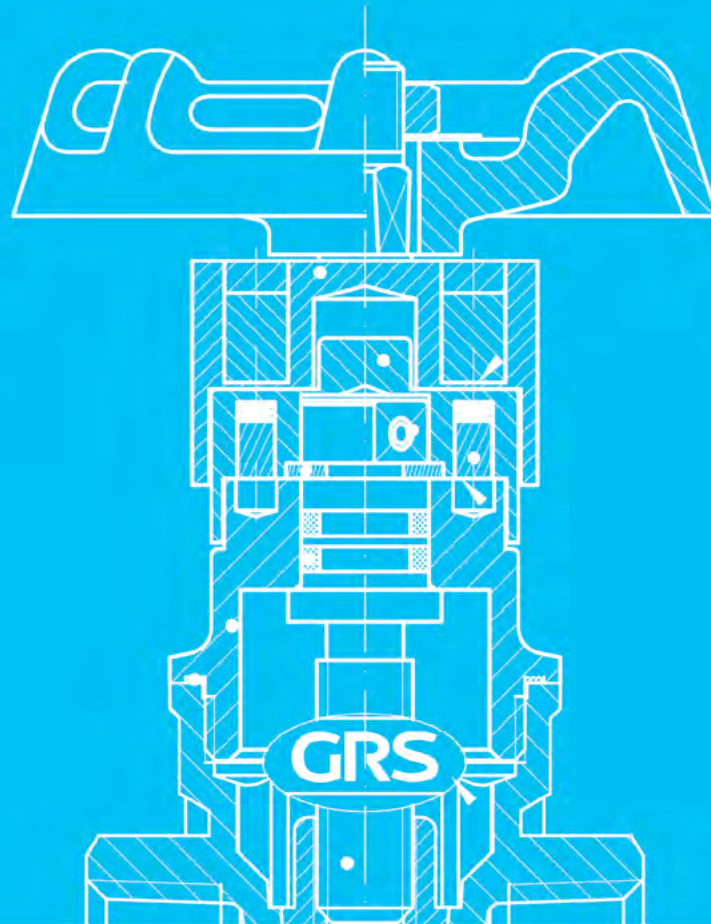




Precision in Every Drop
Since 2006

Valves



• USA • Guatemala • El Salvador • Honduras • Costa Rica • Nicaragua

VCM-15 ~ 50 / GATE VALVE

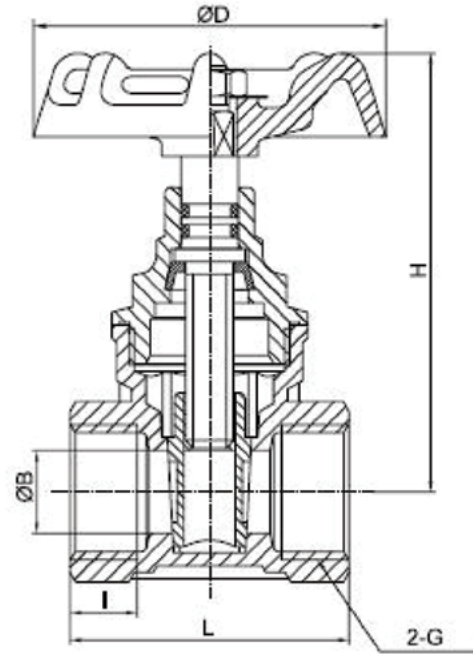
Features

Nominal pressure: 1 Mpa

Type of fluid in Valve: Water, non-caustic liquid, saturated steam (0.6 Mpa)

Temperature range: -10°C - 110°C

Intel thread: ISO 228. NPT X NPT



Technical parameter

Model	DN	H	B	L	I	G
VCM-15	15	61.3	10	43	10	1/2
VCM-20	20	70	15	44.5	10.5	3/4
VCM-25	25	79.3	20	49	12	1
VCM-32	32	92.5	25	55	13.5	1 1/4
VCM-40	40	106	32	57	13.5	1 1/4
VCM-50	50	120	39	65	14.5	2

Dimensions expressed in millimeters.



Precision in Every Drop
Since 2006