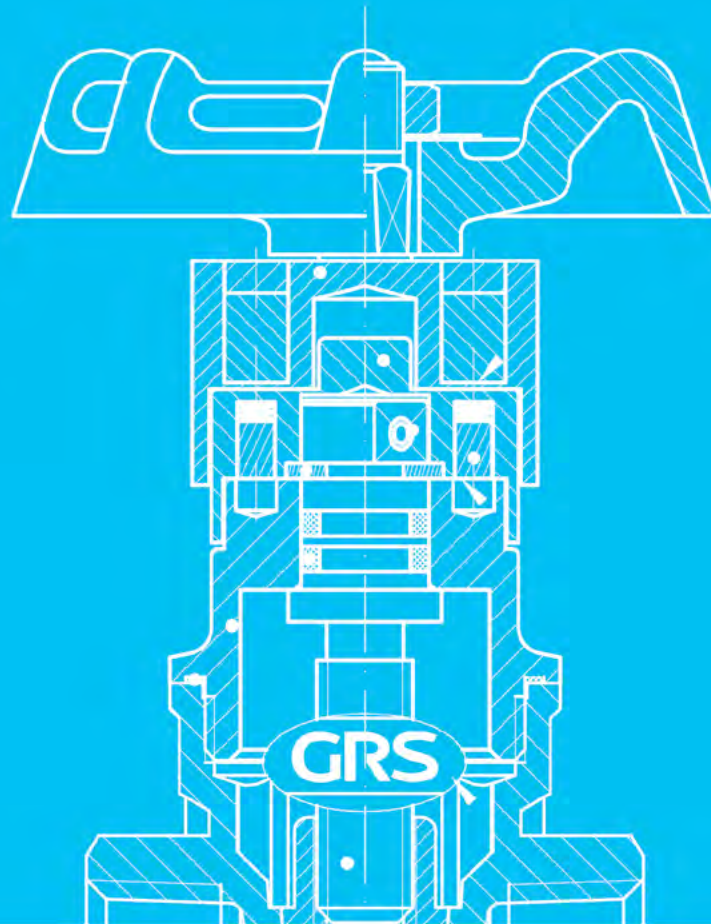




Precision in Every Drop
Since 2006

Valves



• USA • Guatemala • El Salvador • Honduras • Costa Rica • Nicaragua

VB-15 ~ 50 / BALL VALVE

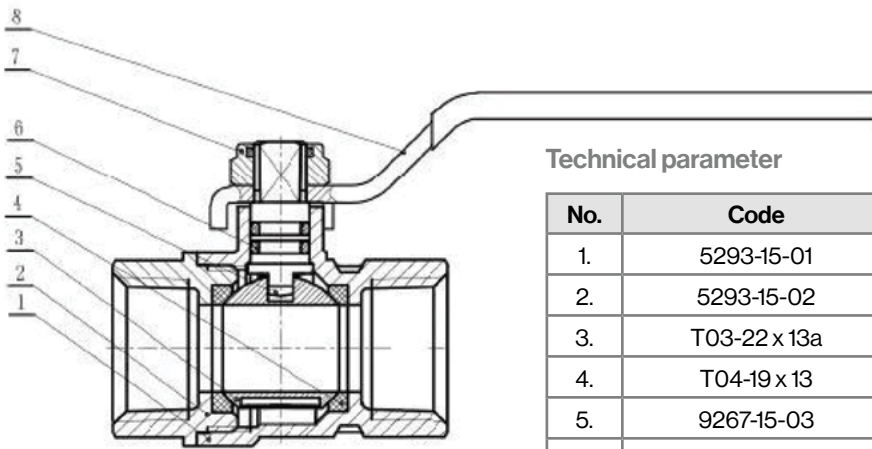
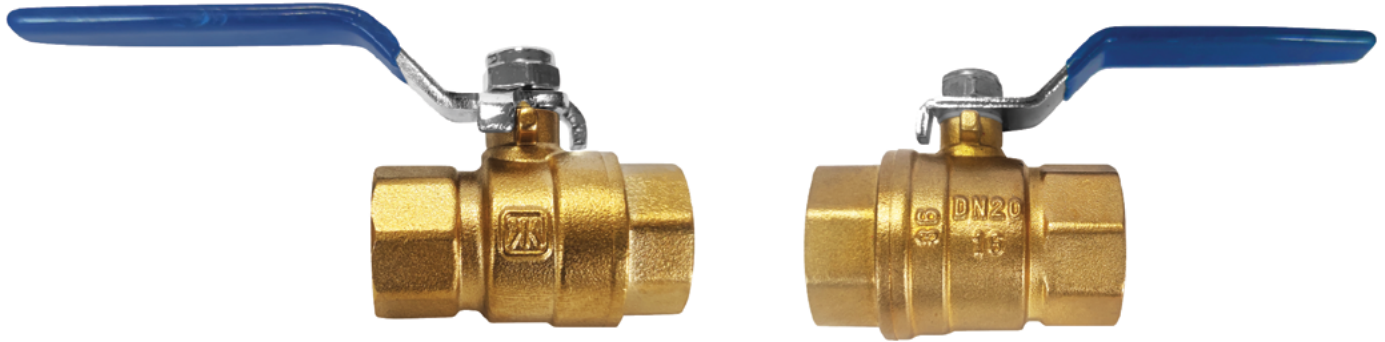
Features

Nominal pressure: 1 Mpa

Type of fluid in valve: Water and non-corrosive liquid

Temperature range: -10°C - 110°C

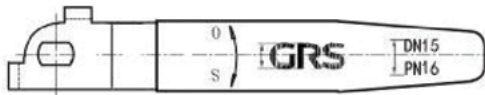
Hydraulic pressure test: 2.4Mpa



Technical parameter

No.	Code	Article	Quantity	Material
1.	5293-15-01	Body	1	HPb59-2A
2.	5293-15-02	Lid	1	HPb59-2A
3.	T03-22 x 13a	Ball	1	HPb58-2A
4.	T04-19 x 13	Packing	2	PTFE
5.	9267-15-03	Stem	1	HPb58-2A
6.	T05-5.8 x 1.6	O-Ring	2	NBR
7.	GB/TT6172.2 - 2000	Nut	1	Acero
8.	5293-15-03	Solve	1	Q235-A+PVC

2xNPT



Normal pressure	1.6 MPa
Force test pressure	2.4 MPa
Seal proof pressure	0.6 MPa
Working medium	Water.
Working temperature	-10°C ≤ t ≤ 120°C

Assembly drawings	Size	Weight (grams)
5293	1/2"	185
	3/4"	270

Warning! Not recommended for steam service.



Precision in Every Drop
Since 2006